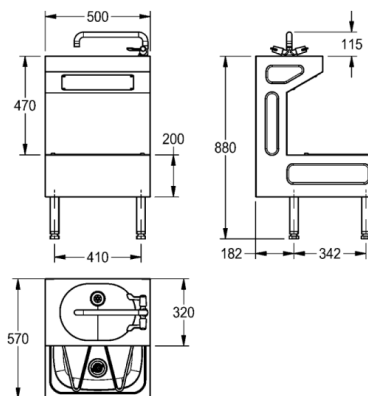


Centinel Janitorial Unit - HTM64

MODEL RANGE: SIRIUS | G20055N | 207.0000.059

Utility sinks | Cleaners sinks



Floor standing janitorial unit manufactured from grade 1.4301 (304) stainless steel, 1.2mm material thickness throughout except for lower bowl which is 0.9mm. Supplied complete with lever operated monobloc mixer, copper tails, 32mm flush grated waste outlet for top wash bowl and 38mm domed waste (for lower bowl). The janitorial unit can be fixed with 4 legs for floor standing or part wall hung / floor standing by using two of the front legs or alternatively can be fitted as a wall hung unit by using the joggle strip provided.

Technical data

Bowl depth	360.00 mm
Bowl width	420.00 mm
Material thickness	1.20 mm
Overall depth	570.00 mm
Overall height	880.00 mm
Overall width	500.00 mm
Material	Stainless steel
Material code	1.4301 Chrome Nickel steel V2A
Tap hole position	Right
Bowl position	Center
Bowl finish	Satin finish
Overflow	No
Surface finish	Satin finished
Waste kit included	Yes
Bowl construction	Radius corners
Grid	Hinged
Number of waste holes	2.00000
Type of utility sink	Slop hopper
Grid material	Stainless steel
Product code	207.0000.059

KWC. The new name of Franke Water Systems