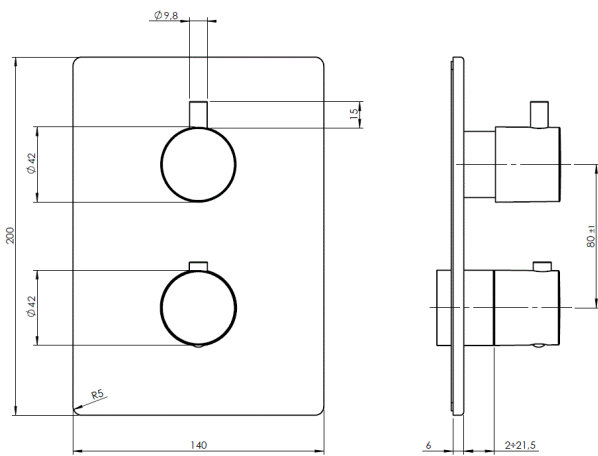


KAHA 2 DIRECTION CONCEALED SHOWER CHROME ABS



CONSTRUCTION: Brass & ABS
CARTRIDGE/VALVE TYPE: Thermostatic
SUPPLY: Suitable for all plumbing systems
INLET CONNECTIONS: 1/2" BSP
WORKING PRESSURES: 0.2 - 5.0 bar
OPERATION: Separate Flow And Temperature Controls

- Diverter Cartridge to two outlets
- 38°C temperature hot stop with override facility
- Rectangular ABS concealing plate
- Front access filters - No need to disconnect shower from water supply during maintenance
- Concealed shower spindle extension available
- Can be purchased as Separate Valve and Trims - VALVE 2D & TR KAHA 2DA

KAHA 2DA

Open Outlet Flow (Bar - l/min)

| BAR | 0.3 | 0.5 | 1.0 | 2.0 | 3.0 | 4.0 | 5.0 |
|------|------|------|------|------|------|------|-----|
| FLOW | 10.1 | 13.4 | 18.4 | 27.4 | 34.2 | 40.1 | |

Chrome



1805395



NSF2345/0221



Please Note: Flow rate will be dictated by installation configurations.
 Please ensure to check the appropriate flow restrictor information if applicable.
 *Please refer to website for full warranty details.

FREEPHONE: 0800 195 1602 | FAX ORDERS: 08444 068 690 | EMAIL: SALES@UK.METHVEN.COM

methven.com