

Conceala 3 Concealed Dual Flush Bottom/Top Inlet Cistern, Pneumatic

ILLUSTRATED

S3327 Conceala 3 dual flush 6/4 litre cistern, top/bottom inlet, pneumatic actuation, easy adjustable to low water volumes (4.5/3 or 4/2.6 litres), internal overflow, flushpipe included, no button/flushplate

S1082 Conceala 3 dual flushplate

OPTIONS

S1084 Crescent finger push button, pneumatic dual flush

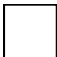
ILLUSTRATED PRODUCT DETAILS

Weights

S3327 2.30 KG

S1082 0.35 KG

Finishes

S3327  Neutral / No Finish (67)

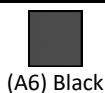
S1082  Chrome (AA)

Materials

S3327 Plastic

S1082 Chrome Plated Plastic

FINISH OPTIONS



Standards

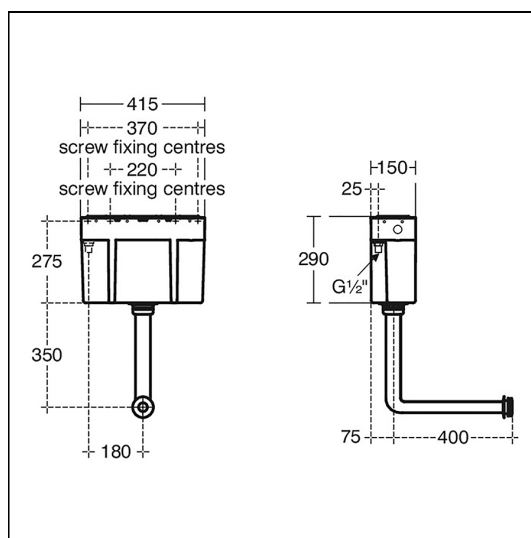
Cistern to BS EN 14055

Special Notes

Cistern is supplied with 800mm length of plastic air tube. An optional 3m length (SV316) can be purchased where remote operation is required. Cistern is supplied with 2 x 800mm length of plastic air tube. An optional 3m length (SV316) can be purchased where remote operation is required. Please refer to the installation instructions before fitting. Actuator purchased separately. Easy adjustment on outlet valve to lower water volumes.

Please refer to the installation instructions before fitting. Actuator purchased separately.

Previous Conceala 2 equivalent E212467 or S363667



ACCREDITATIONS

FEATURES

