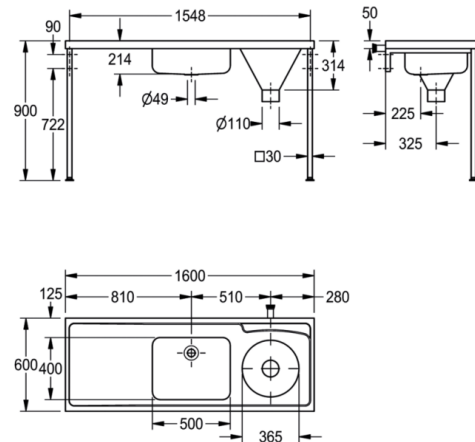


DUHS hospital disposal unit

MODEL RANGE: TUBS-BASINS | G22018L | 207.0000.065

Utility sinks | Multi purpose sink



A DUHS hospital disposal unit manufactured from 1.2 mm thick, grade 1.4301 (304) stainless steel with satin polish finish. The top is turned down on all four edges and incorporates a wet area recess. Fitted with a sluice hopper at one end which can be suitable for either top entry or duct mounted services. The hopper has a 110 mm dia. outlet which can accept a P or S trap, available as an extra. A wash up bowl is positioned next to the sluice hopper and is prepared for a 38 mm waste outlet. The wash up bowl does not have an overflow. Stainless steel cistern are available with stainless steel downpipes for surface mounting installations. For installations where the cistern is duct mounted a plastic cistern with plastic downpipe is available. Plastic cistern have a 9 litres capacity where the stainless steel cistern can be 6, 7 or 9 litre capacity and all are fitted with 13 mm HP brass valve, plastic float and CP metal flushing lever handles. The unit should only be fed from a cistern or tank water supply. Unit can be mounted on either stainless steel cantilever brackets or stainless steel front leg supports. Front leg supports give a working height of 900 mm and have adjustable feet which can be screwed to the floor for extra stability. L or R after the code number refers to the handing of the drainer ie. left or right when facing front of unit. HTM Standard 64. Suitable for duct mounting

Technical data

| | |
|---------------------------|--------------------------------|
| Bowl height | 200.00 mm |
| Bowl depth | 400.00 mm |
| Bowl width | 500.00 mm |
| Material thickness | 1.20 mm |
| Overall depth | 600.00 mm |
| Overall height | 300.00 mm |
| Overall width | 1,600.00 mm |
| Waste hole projection | 225.00 mm |
| Drainer position | Left |
| Material | Stainless steel |
| Material code | 1.4301 Chrome Nickel steel V2A |
| Tailor made | No |
| Tap ledge | No |
| Waste hole position | Center back |
| Bowl finish | Satin finish |
| Overflow | No |
| Surface finish | Satin finished |
| Waste size | DN 32 |
| Drainer or storage | Drainer |
| Outlet size | DN 100 |
| Minimum flushing capacity | 6.00 liter |
| Product code | 207.0000.065 |

KWC. The new name of Franke Water Systems

