



Applications

Designed for use with Dudley concealed cisterns and Illusion A and V frames.

Water Saving

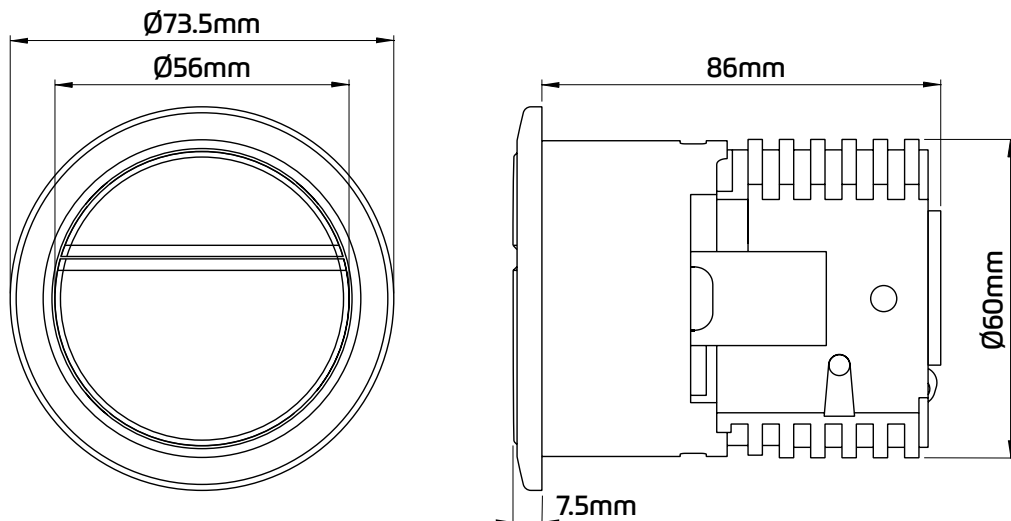
~ Dualflush operation provides reduced flush for enhanced water saving

Features

- ~ Dualflush
- ~ 73.5mm diameter pushbutton
- ~ Matt Black finish
- ~ Smooth pneumatic operation
- ~ Can be positioned up to 250mm from from the cistern



Dimensional Data



Technical Data

Wall Thickness	12-32mm
Installation Aperture	Ø62-65mm hole
Fixing Type	Locking Collet (Supplied)
Button Operation	Pneumatic
Flush Option	Dual Flush