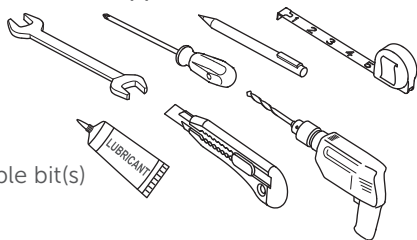




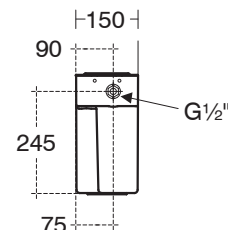
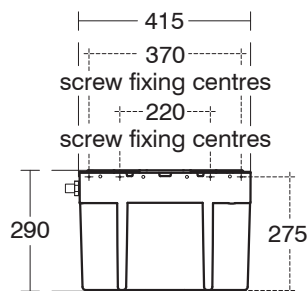
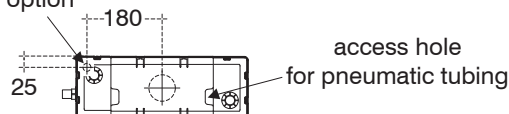
GENERAL INFORMATION

Tools/Materials Required (not supplied)

- Spanners
- Screwdriver
- Pencil or Marker Pen
- Measuring Tape
- Lubricant
- Power Drill and suitable bit(s)
- Model knife



bottom inlet option



Chemicals & paints

Do not allow the inlet valve to come into contact with jointing compounds, cellulose based paints, paint thinners or strippers, solder flux, acid based descalers or aggressive cleaning products including those below pH4, high in hypochlorite (e.g. bleach) or containing hydrogen peroxide.

The Water Regulations have a requirement to fit a servicing valve adjacent to the cistern. Access panel to the cistern should be provided for maintenance purposes. It is the installer/specifiers responsibility to ensure compatibility with other manufacturers WC pans.

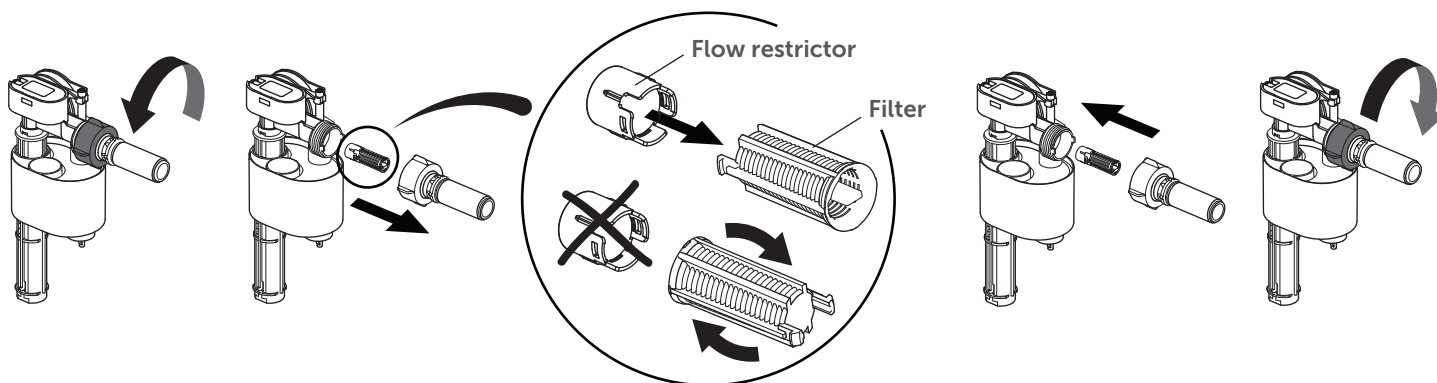
It is essential that the inlet and outlet valve seals are checked for water tightness before installing the tank. When connecting float operated fill valve to water supply pipework, adjust the float to give shut off at the water level as marked on cistern. See table 3 below.

INLET

• PREPARE

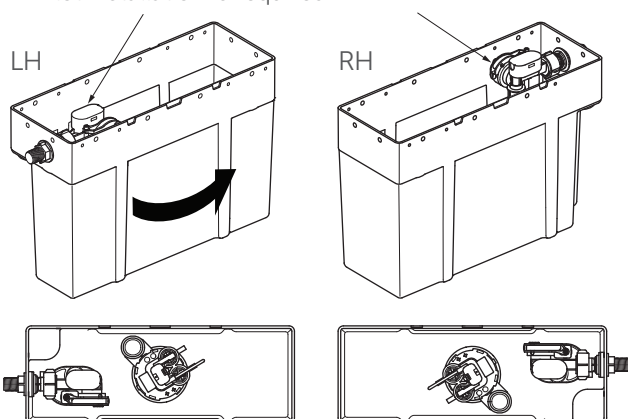


For low pressure installation under 0.2 bar, remove the restrictor from inlet valve and ensure the open end of the filter is placed towards the inlet valve. (see diagram below)



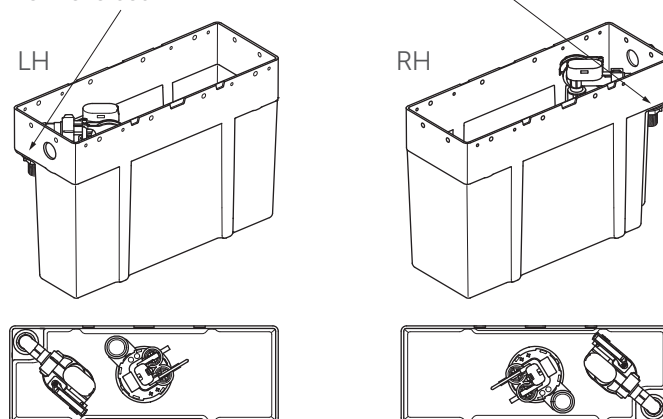
• SIDE INLET INSTALLATION

Side inlet is located on the left side of the tank. However, the tank is reversible if right hand inlet installation is required.

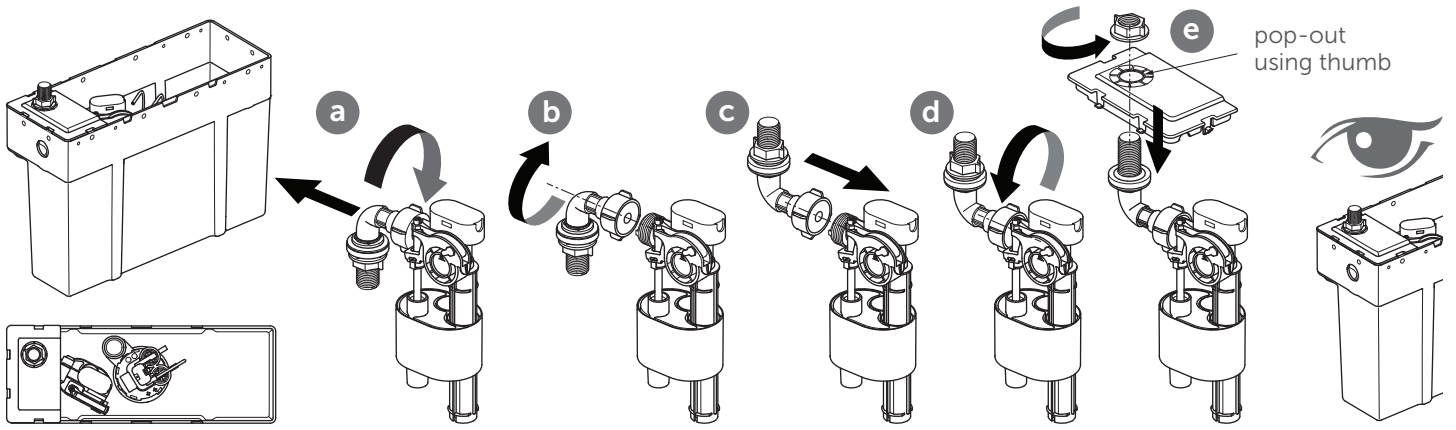


• BOTTOM INLET INSTALLATION

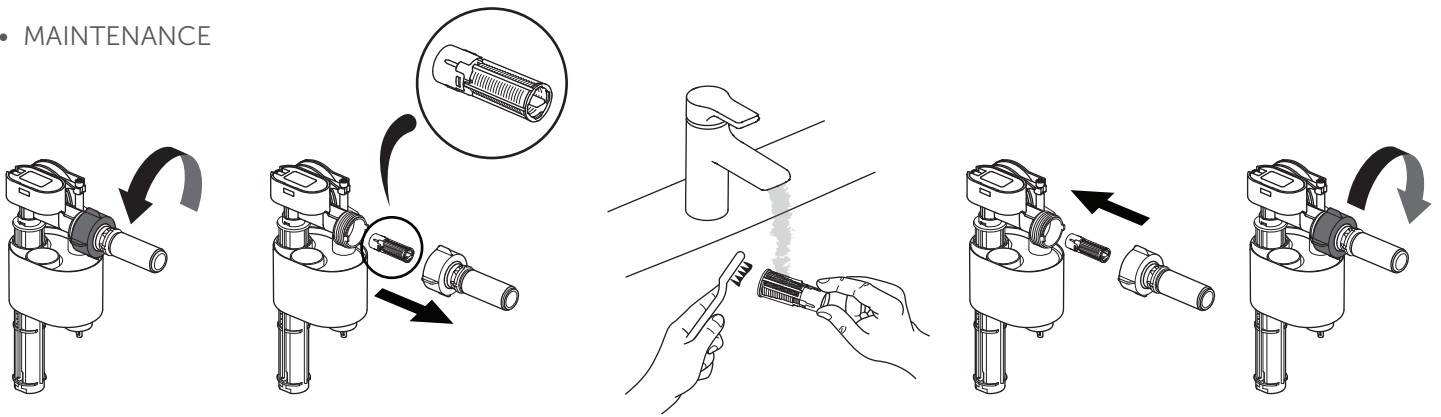
Tank can be rotated for left or right bottom inlet. NOTE: Connection position is diagonally opposite when reversed



• SETUP INLET FOR TOP INSTALLATION

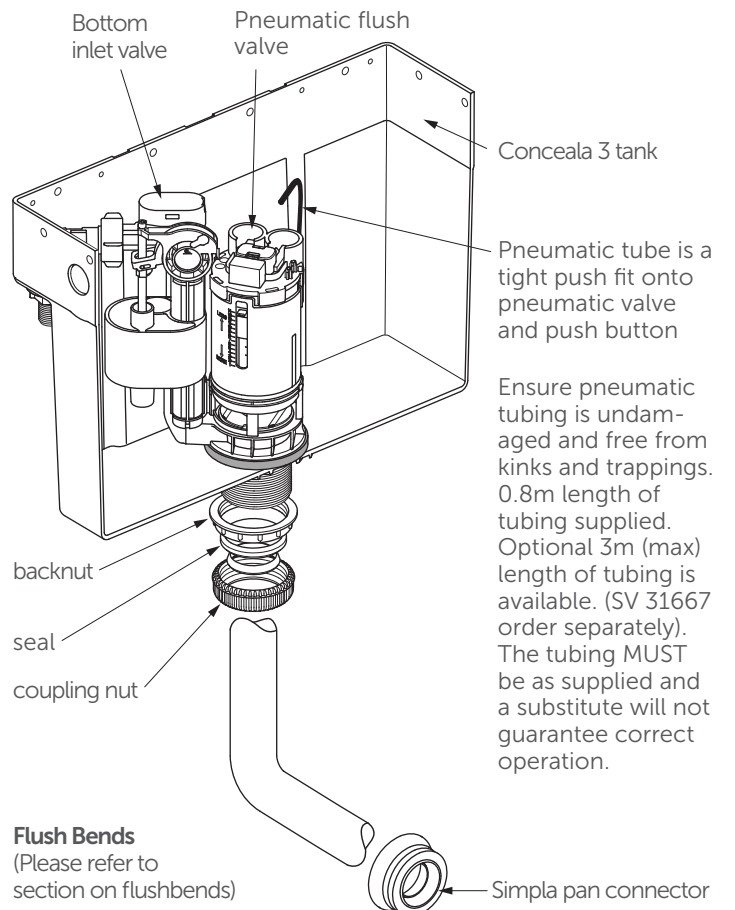
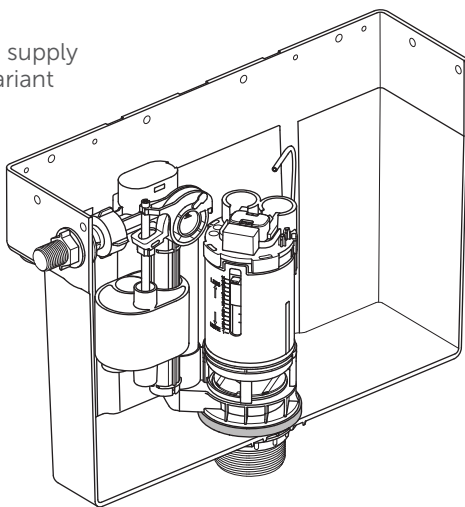


• MAINTENANCE



PUSH BUTTON OPERATED SINGLE/DUAL FLUSH

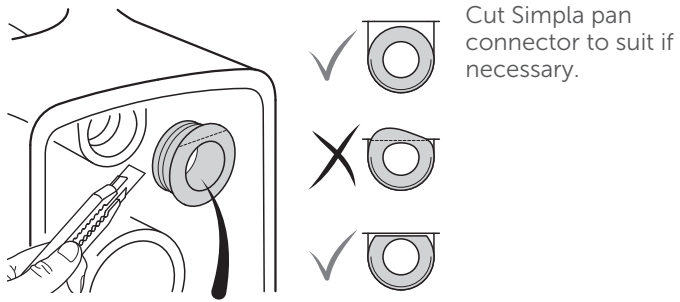
side supply variant



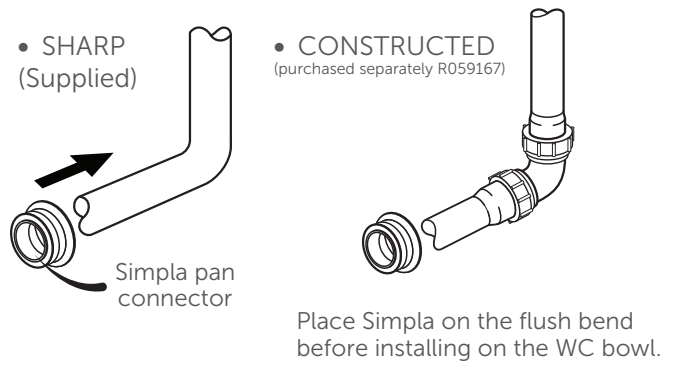
Illustrations shown may not represent product supplied

FLUSH BENDS

Assembly of Constructed Bend



Flush bend(s) supplied vary between Conceala
Supplied bend could be cut for customer needs.



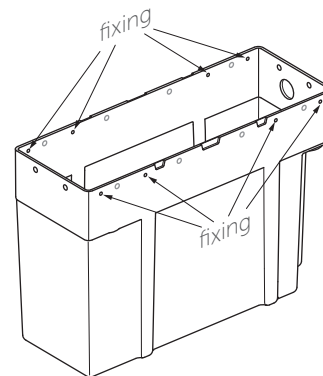
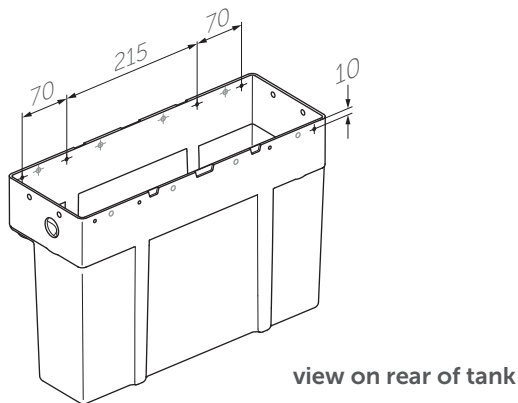
TANK MOUNTING

Four fixing holes are supplied in back and front faces of tank for front or rear wall mounting. Note: Tanks are reversible.

Components must be repositioned when alternative lever/inlet position is selected.

• FRONT VIEW

• BACK VIEW



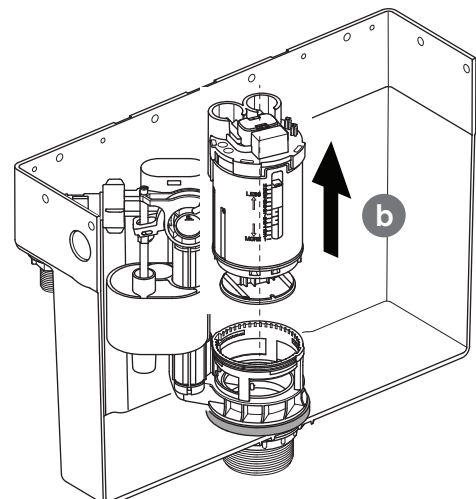
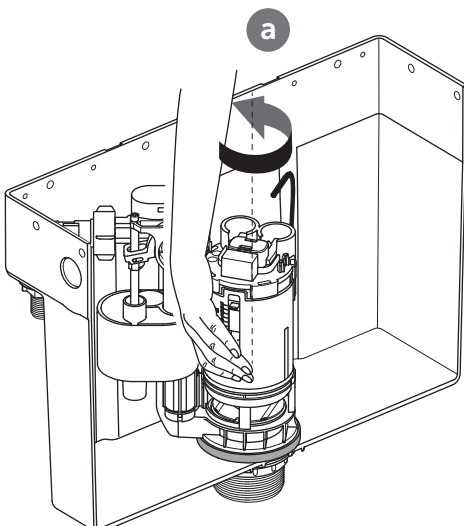
Note: Secure to wall using corrosive resistant fasteners suitable to wall construction (not supplied).

OUTLET VALVE SETTINGS

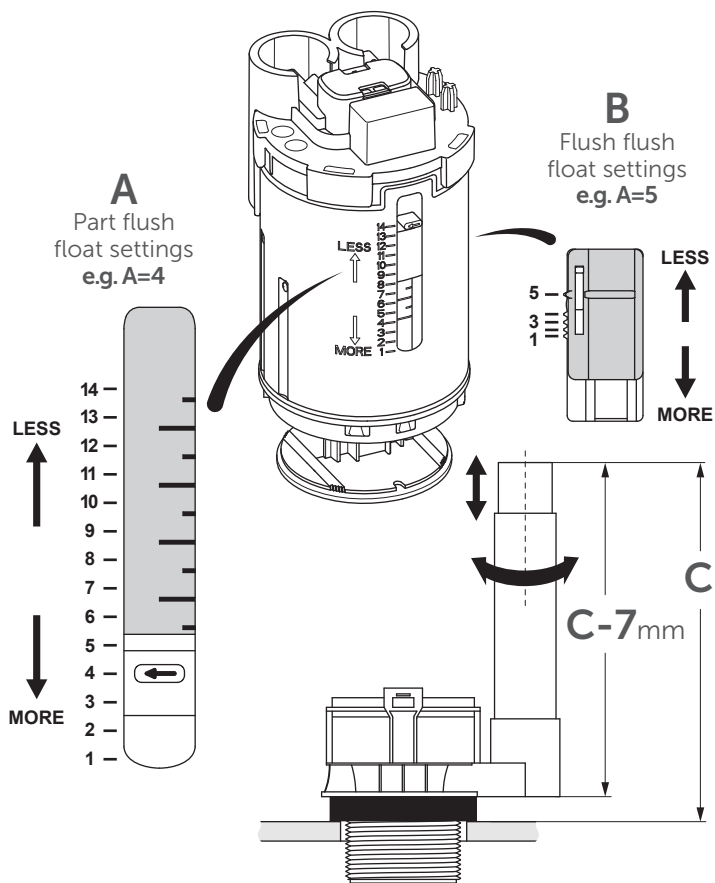
To remove and adjust settings, first turn the valve body by 1/4 turn and lift it out of the retaining cage. Adjust the valve settings by moving the sliding controls as shown in the below chart.

IMPORTANT NOTE

Not all wc pans are designed to flush at 4/2,6 litre. Check pan performance details before setting valve at these settings.



PUSH BUTTON OPERATED SINGLE/DUAL FLUSH



C is the overflow tube height measured from the base of the tank. Subtract 7 if measuring from the base of plastic cage without the seal.

Illustration may not reflect item as supplied.

All cistern components must be installed in accordance with UK water regulations. If in doubt, please consult a suitably qualified professional.

	inlet	Litre	Water line	A	B	C
Single flush	Bottom	6	167	-	2	195
	Bottom	4.5	167	-	5	195
	Bottom	4	159	-	5	185
	Side	6	167	-	2	195
	Side	4.5	167	-	5	195
	Side	4	159	-	5	185
Dual flush	Bottom	6/4	170	3	2	195
	Bottom	4.5/3	167	4	4	195
	Bottom	4/2.6	159	4	5	185
	Side	6/4	170	3	2	195
	Side	4.5/3	167	4	4	195
	Side	4/2.6	159	4	5	185

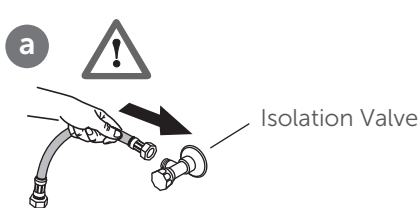
Table 1

SENSORFLOW OUTLET VALVE SETTINGS

	inlet	Litre	Water line	A	B	C
Single flush	Bottom	6	167	-	2	195
	Bottom	4.5	167	-	3	185
	Bottom	4	159	-	5	185
	Side	6	167	-	2	195
	Side	4.5	167	-	5	195
	Side	4	159	-	5	185

Table 2

INSTALLATION



Turn on and check supply for leaks

Check all joints to ensure they are sound and watertight (inlet and outlet valve nuts). Check that the inlet valve does not foul on the outlet valve or the side wall of the cistern.

Float adjustment

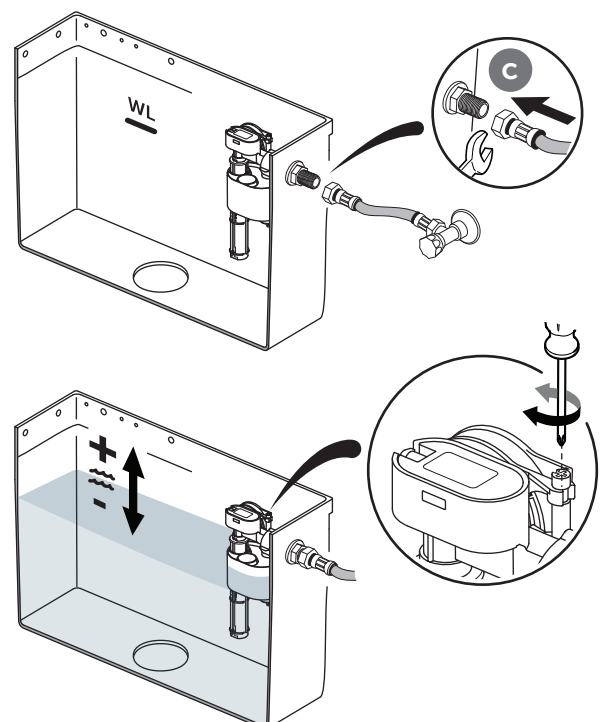
Use a screwdriver to raise and lower the shut off float assembly.

Look for the marked waterline inside the tank.

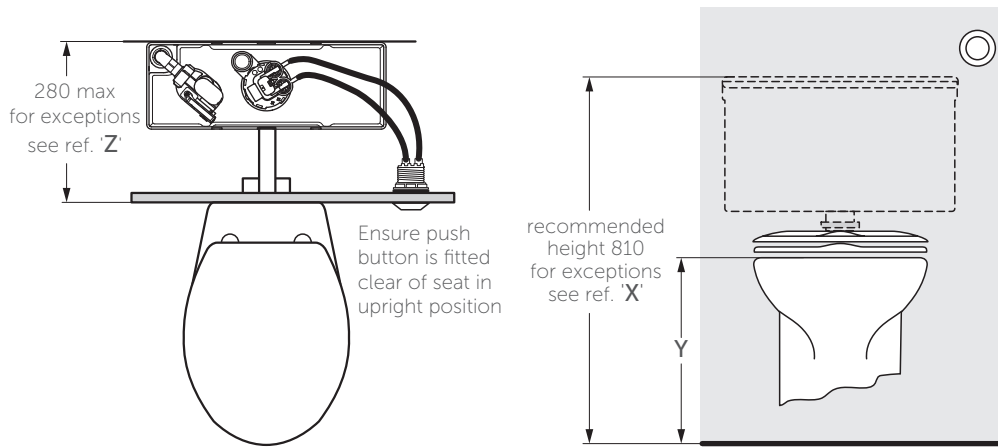
Flush the tank and check that the tank refills to the marked water line, if not rotate the stalk with a screwdriver – clockwise to raise the shut off point and anti-clockwise to lower it.

Flow restrictor

See next page.



PUSH BUTTON OPERATED CISTERN



NOTE: For wall mounted WC bowls 810 recommended height from floor to top of cistern is with pan front rim at 400mm. See table for exceptions.

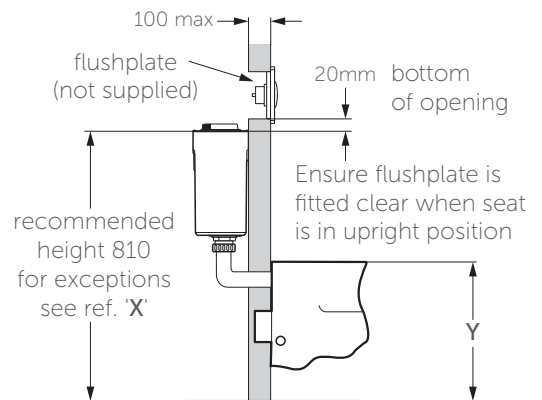
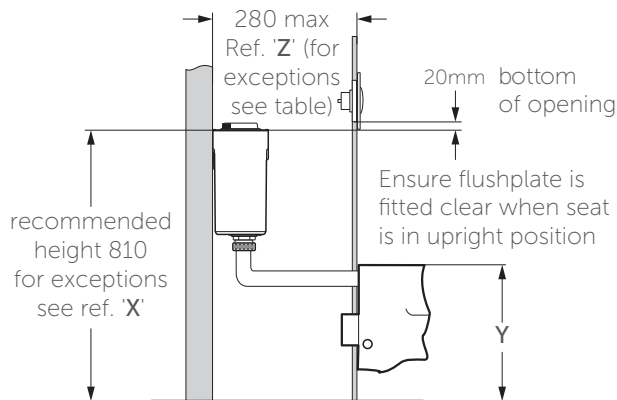
Flush bend to be used with cisterns height 'X' set at 810 and distance from back of bowl to back of cistern 'Z' set at 280 (max) unless otherwise stated.

For Wall Mounted WC bowls, dimension 'Y' can vary but the relationship between dimension 'X' and 'Y' **MUST** be maintained.

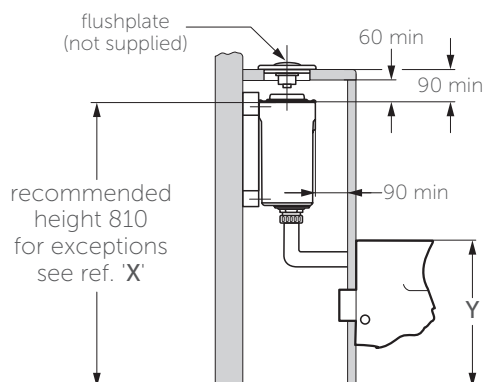
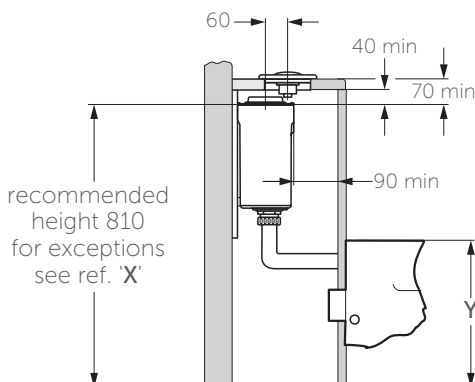
All dimensions shown are in millimetres. Dimensions shown may vary within permitted tolerances.

FLUSH PLATE OPERATED DUAL FLUSH CISTERN

• CISTERN MOUNTING FOR WALL OPERATION



• CISTERN MOUNTING FOR TOP OPERATION



Note: For wall mounted WC bowls 810 recommended height from floor to top of cistern is with pan front rim at 400mm All dimensions shown in millimetres.

Dimensions are approx. and may vary within permitted tolerances.

Flush bend to be used with cisterns height 'X' set at 810 and distance from back of bowl to back of cistern 'Z' set at 280 (max) unless otherwise stated. This recommendation is not essential and cistern can be installed on lower height, but performance is not guaranteed. For Wall Mounted WC bowls, dimension 'Y' can vary but the relationship between dimension 'X' and 'Y' **MUST** be maintained.

Pneumatic / 6 L / WCs		Installation type	X	Y	Z	Pneumatic / 4 & 4.5 L / WM WCs		Installation type	X	Y	Z
E7850	Concept	WM	810	400	280	E7850	Concept	WM	840	400	280
E0473	Concept Aquablade	WM	810	410	280	E0473	Concept Aquablade	WM	840	400	280
E2404	Concept Air	WM	810	410	280	E2404	Concept Air	WM	840	410	280
E8197	Concept Freedom 750	WM	870	460	260	E8197	Concept Freedom 750	WM	900	460	260
E6090	Concept Freedom Std.Prj	WM	870	460	250	E6090	Concept Freedom Std.Prj	WM	900	460	250
S0443	Contour 21+	WM	900	450	250	S0443	Contour 21+	WM	900	450	250
S3077	Contour 21+ 700**	WM	900	450	250	S3077	Contour 21+ 700**	WM	900	450	250
S3078	Contour 21+ 750**	WM	900	450	250	S3078	Contour 21+ 750**	WM	900	450	250
S3127	Contour 21 Splash 355mm	WM	780	355	280	S3127	Contour 21 Splash 355mm	WM	800	355	280
S0782	Edit D	WM	810	410	280	S0782	Edit D	WM	840	410	280
S0819	Edit L	WM	810	410	280	S0819	Edit L	WM	840	410	280
S0794	Edit R	WM	810	410	280	S0794	Edit R	WM	840	400	280
V3910	Sandringham 21	WM	810	400	250	V3910	Sandringham 21 (4.5 single flush)	WM	910	400	250
E1585	Studio Echo	WM	810	410	280	V3910	Sandringham 21 (4/2.6 and 4.5/3 dual flush)	WM	970	400	250
T3288	Tempo Short Prj	WM	810	400	250	E1585	Studio Echo	WM	840	410	280
T3275	Tempo Std.Prj	WM	815	400	250	T3545	Tesi	WM	840	400	290
T3545	Tesi	WM	810	400	290	T4717	IS I.LIFE A WHG BWL OF RL+ BXD	WM	840	400	250
T4717	IS I.LIFE A WHG BWL OF RL+ BXD	WM	810	400	250	E2473	IS I.LIFE A WHG BWL OF RL+ UKP	WM	840	400	250
E2473	IS I.LIFE A WHG BWL OF RL+ UKP	WM	810	400	250	T4592	IS I.LIFE S WHG BWL HF RL+ BXD	WM	840	400	250
T4592	IS I.LIFE S WHG BWL HF RL+ BXD	WM	810	400	250	T4614	IS I.LIFE B WHG BWL HF RL+ BXD	WM	840	400	250
T4614	IS I.LIFE B WHG BWL HF RL+ BXD	WM	810	400	250	T2997	STRADA II WHG BWL WHITE AB HF	WM	840	400	250
T2997	STRADA II WHG BWL WHITE AB HF	WM	810	400	250	T0079	TESI WHG BWL AB HF BXD	WM	840	400	250
T0079	TESI WHG BWL AB HF BXD	WM	810	400	250	T3686	BLEND CUBE WHG BWL AB HF BXD	WM	840	400	250
T3686	BLEND CUBE WHG BWL AB HF BXD	WM	810	400	250	T3749	BLEND CURVE WH BOWL AB	WM	840	400	250
T3749	BLEND CURVE WH BOWL AB	WM	810	400	250	E7916	Concept	BTW	840	-	280
E7916	Concept	BTW	810	-	280	E0509	Concept Aquablade	BTW	840	-	280
E0509	Concept Aquablade	BTW	810	-	280	E1432	Concept Air	BTW	840	-	280
E1432	Concept Air	BTW	810	-	280	E6088	Concept Freedom R.Ht	BTW	900	-	320
E6088	Concept Freedom R.Ht	BTW	870	-	320	S0439	Contour 21+	BTW	850	-	250
S0439	Contour 21+	BTW	820	-	250	S0440	Contour 21+ R.Ht	BTW	900	-	250
S0440	Contour 21+ R.Ht	BTW	870	-	250	S0437	Contour 21+ 700 R.Ht	BTW	900	-	250
S0437	Contour 21+ 700 R.Ht	BTW	900	-	250	S0438	Contour 21+ 750 R.Ht	BTW	900	-	250
S0438	Contour 21+ 750 R.Ht	BTW	900	-	250	S3047	Contour 21 Schools 355mm	BTW	850	-	250
S3047	Contour 21 Schools 355mm	BTW	850	-	250	S3046	Contour 21 Schools 305mm	BTW	780	-	250
S3046	Contour 21 Schools 305mm	BTW	780	-	250	S3125	Contour 21 Splash Schoos 355mm	BTW	800	-	280
S3125	Contour 21 Splash Schoos 355mm	BTW	780	-	280	S3122	Contour 21 Splash Schools 305mm	BTW	780	-	280
S3122	Contour 21 Splash Schools 305mm	BTW	780	-	280	S0818	Edit L	BTW	840	-	280
S0818	Edit L	BTW	810	-	280	S0793	Edit R	BTW	840	-	280
S0793	Edit R	BTW	810	-	280	S3440	Perth 2	BTW	840	-	280
S3440	Perth 2	BTW	810	-	320	S3095	Profile 21	BTW	810	-	280
S3095	Profile 21	BTW	810	-	280	E8974	Sandringham 21	BTW	840	-	260
E8974	Sandringham 21	BTW	810	-	260	T2827	Studio Echo	BTW	840	-	280
T2827	Studio Echo	BTW	810	-	280	T3279	Tempo	BTW	840	-	280
T3279	Tempo	BTW	810	-	280	T3535	Tesi	BTW	840	-	280
T3535	Tesi	BTW	810	-	280	T4719	IS I.LIFE A BTW BWL RL+ BXD	BTW	840	-	250
T4719	IS I.LIFE A BTW BWL RL+ BXD	BTW	810	-	250	E2474	IS I.LIFE A BTW BOWL RL+ UKP	BTW	840	-	250
E2474	IS I.LIFE A BTW BOWL RL+ UKP	BTW	810	-	250	T5197	IS I.LIFE S BTW BOWL RL+ BXD UKP	BTW	840	-	250
T5197	IS I.LIFE S BTW BOWL RL+ BXD UKP	BTW	810	-	250	E2608	IS I.LIFE B BTW BOWL RL + BXD	BTW	840	-	250
E2608	IS I.LIFE B BTW BOWL RL + BXD	BTW	810	-	250	T4616	IS I.LIFE B BTW BWL RL + BXD	BTW	840	-	250
T4616	IS I.LIFE B BTW BWL RL + BXD	BTW	810	-	250	E1914	CONNECT AIR BTW BWL HO AB BXD	BTW	840	-	250
E1914	CONNECT AIR BTW BWL HO AB BXD	BTW	810	-	250	E2371	STRADA II BTW BWL AB MULTI	BTW	840	-	250
E2371	STRADA II BTW BWL AB MULTI	BTW	810	-	250	T0077	TESI BTW BWL MULTI AB BXD	BTW	840	-	250
T0077	TESI BTW BWL MULTI AB BXD	BTW	810	-	250	T3764	BLEND CUBE BTW BWL AB FLOOR FIXATION BXD	BTW	840	-	250
T3764	BLEND CUBE BTW BWL AB FLOOR FIXATION BXD	BTW	810	-	250	T3925	BLEND CURVE BTW BWL AB FLR FIX	BTW	840	-	250
T3925	BLEND CURVE BTW BWL AB FLR FIX	BTW	810	-	250	E2225	CALLA BTW BWL BR WHT	BTW	840	-	250
E2225	CALLA BTW BWL BR	BTW	810	-	250	U4712	WAVERLEY BTW BWL HO	BTW	840	-	250
U4712	WAVERLEY BTW BWL HO	BTW	840	-	250						

Table 3

*4.5/3 and 4.5 single flush only

** Bowls use constructed bend, not included. (purchased separately R059167)
Back to wall(BTW) bowls don't have "Z" value to consider.
WM – Wall mounted

CUSTOMER CARE HELPLINE

01482 496318

FAX LINE 01482 499611

email: customer care@idealstandard.com

WW10006667

ver. 1.0 / 11.23