

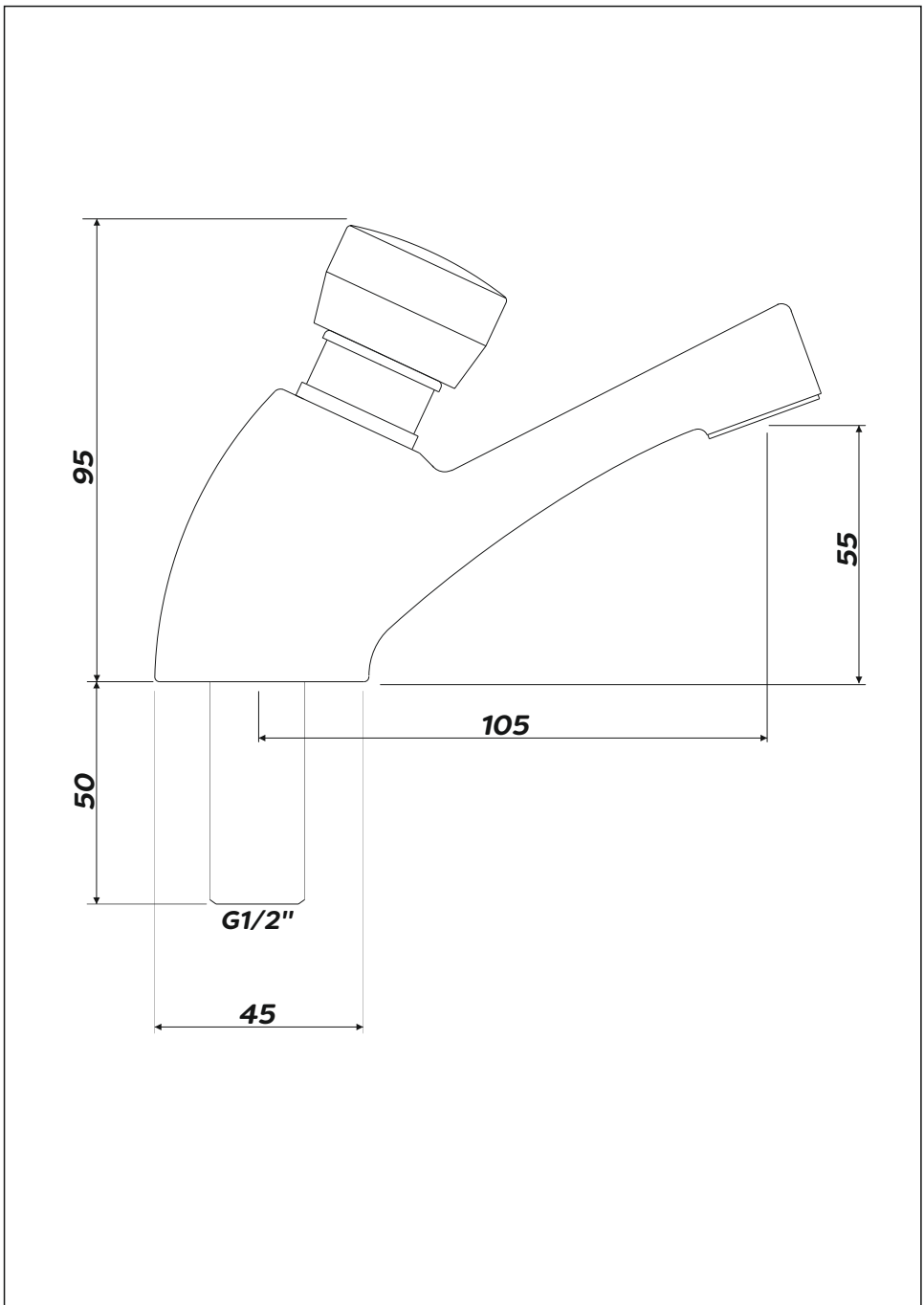


Product

NC160CP - Non Concussive Basin Mounted Taps (Pairs)
NC160CP(S) - Non Concussive Basin Mounted Taps (Single)
NC160CP5 - Non Concussive Basin Mounted Taps (Pairs) - 5 L/min
NC165CP - Non Concussive Basin Mounted Taps (Pairs) - 3 Seconds

Technical Specification

| | |
|--------------------------------------|--------------------------------|
| Max Inlet Pressure (static): | 10 Bar |
| Min Inlet Pressure (dynamic): | 0.5 Bar |
| Max Inlet Temperature: | 65°C |
| Timed Flow (standard): | 15 ± 3 Seconds at 1 Bar |



Additional Information

Simple, non concussive operation makes the tap ideal for high use environments such as gyms or schools

NC160CP5 includes 2x 5 L/min flow regulators, making it ideal for situations where water conservation is paramount

Designed for use with a thermostatic mixing valve, such as our range of intamix TMV's

Timed flow automatically closes the tap after a set period of time, reducing waste water

Wall mounted version available NC170CP