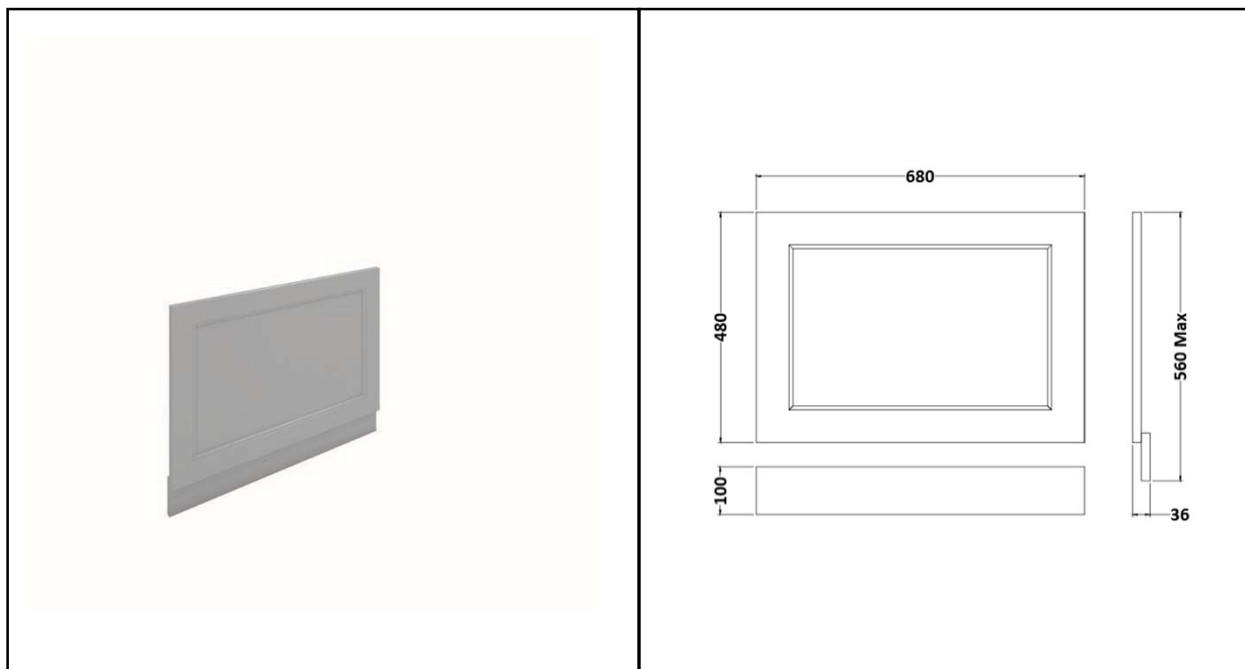


## RAK WASHINGTON FURNITURE

### 700 Bath End Panel & Plinth

**RAK**  
CERAMICS



---

**Dimensions:** 680w x 36d x 480 mm

---

**Colour:** GREY / GREIGE / WHITE / BLACK /  
CAPPUCCINO

---

**Code:** RAKWEP70XXX

---

**Warranty:** 2 YEARS

---

**Weight:** 2.50 KG

---

Dimensions: All Dimensions in mm tolerance  $\pm 5\%$  for below 200mm and  $\pm 3\%$  for above 200mm.  
Note: Due to a continuing development programme to improve design and performance the manufacturer reserves all rights to vary specifications without prior information.  
Please note accessories are for photographic use only.