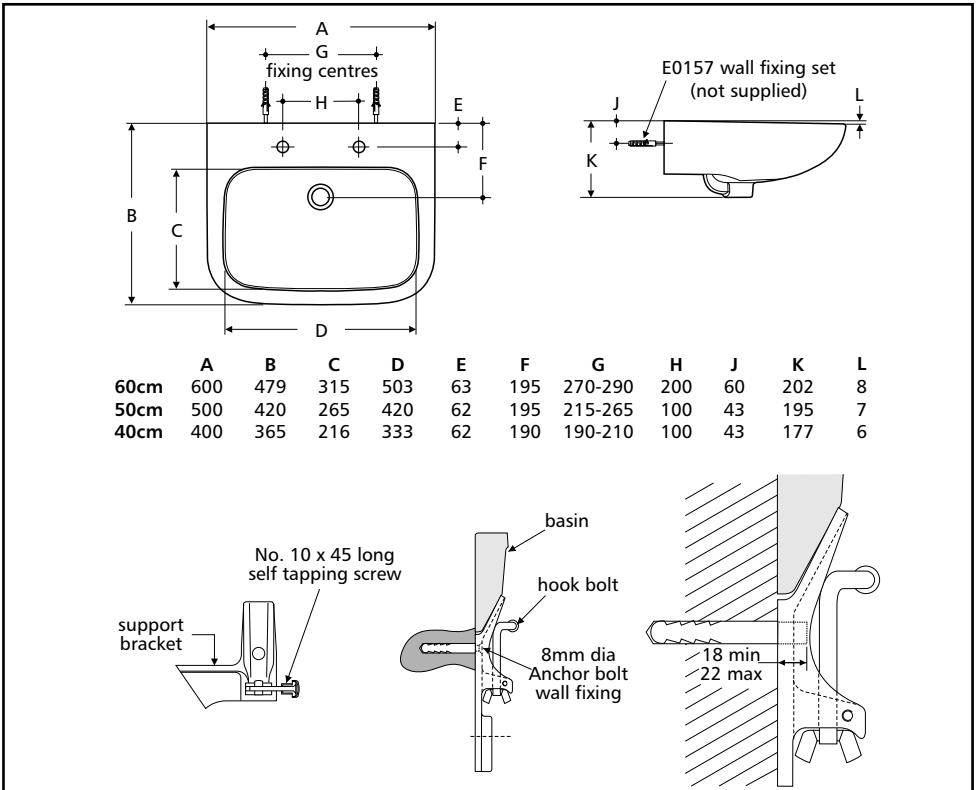


PORTMAN 21 BASINS

Installation Instruction

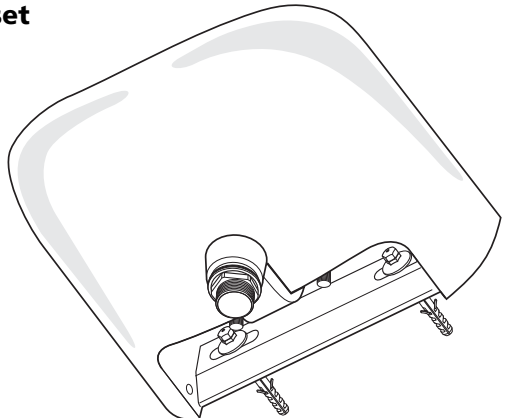
TECHNICAL INFORMATION



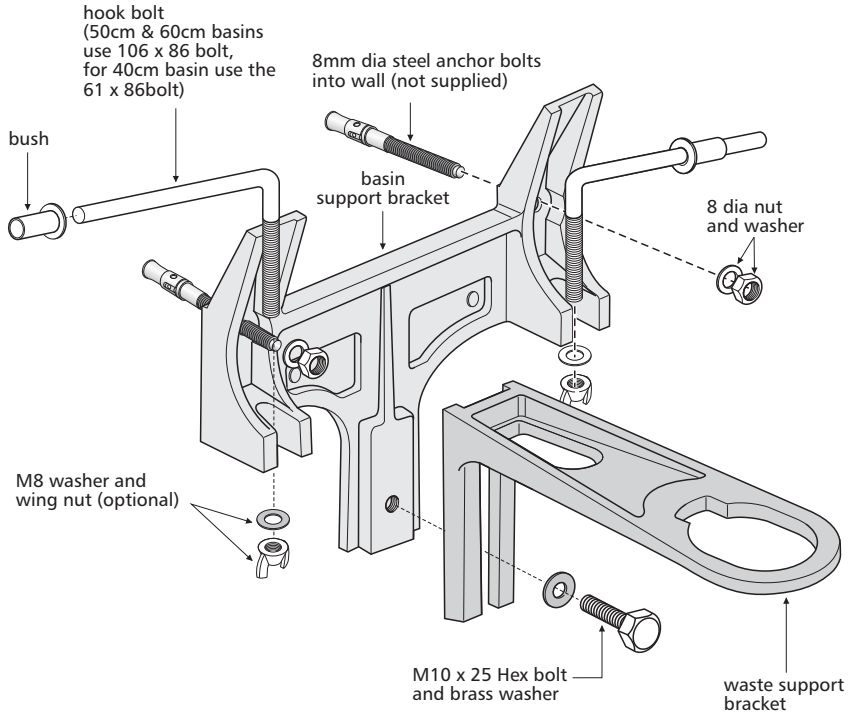
These basins can be installed using the standard basin wall fixing kit. There is no necessity to fit the wall mounting bolts when the basin bracket is used.

When utilising the bracket, the waste support bracket **MUST** be used.

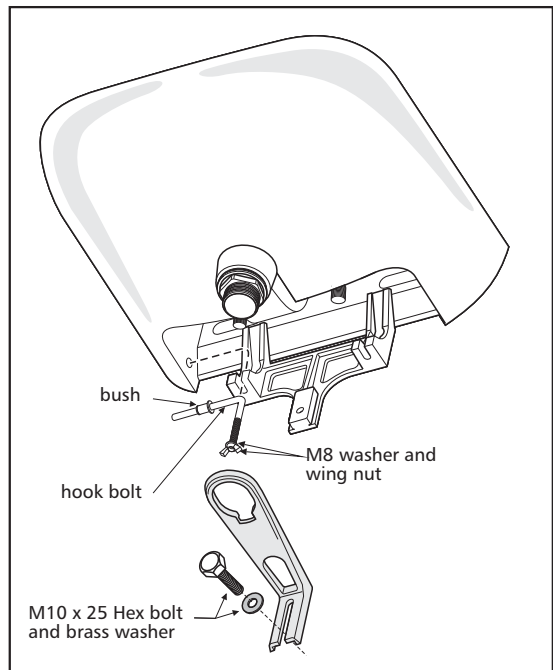
INSTALLATION using wall fixing set

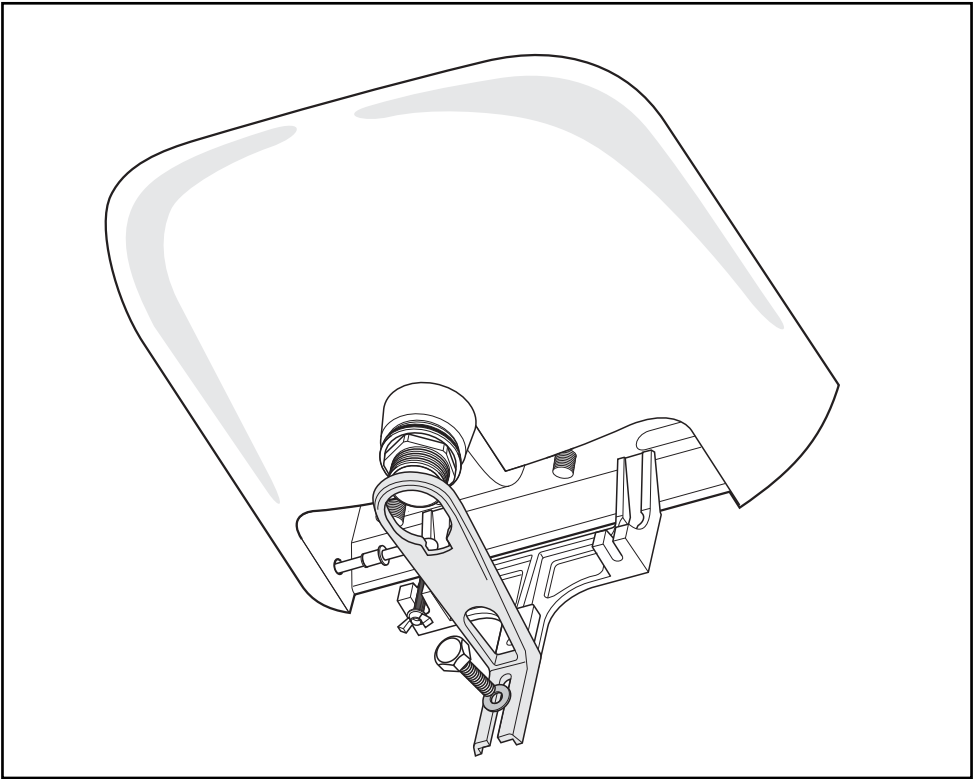


INSTALLATION using bracket with waste support



1. Drill 2 holes in wall to suit steel anchor bolts at 178mm centres.
2. Locate and fix bracket to wall.
3. Pre-fit taps and waste to basin. Install to bracket by locating on taper, ensuring fully engaged.
4. Install hook bolt assembly and waste support bracket. (50cm & 60cm basins use 106 x 86 bolt, for 40cm basin use the 61 x 86 bolt)
5. Complete pipework installation.





The Bathroom Works
National Avenue
Kingston upon Hull
HU5 4HS
England
Telephone: (01482) 346461
Telefax: (01482) 445886.

CUSTOMER CARE HELPLINE
0870 1296085
CUSTOMER CARE FAX LINE 01482 499611
email: ukcustcare@IdealStandard.com

We pursue a policy of continuing improvement in design and performance of our products.

The right is, therefore, reserved to vary specifications without notice.