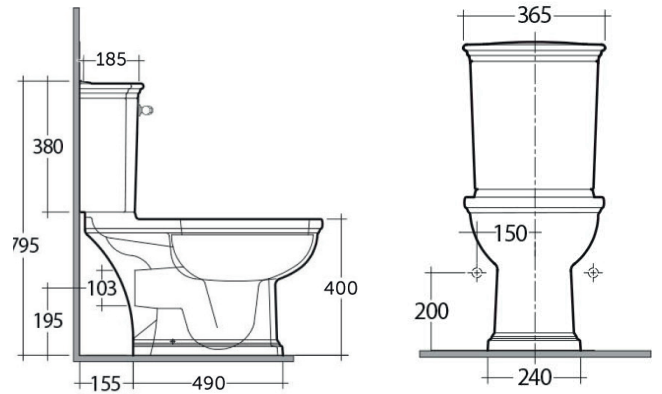
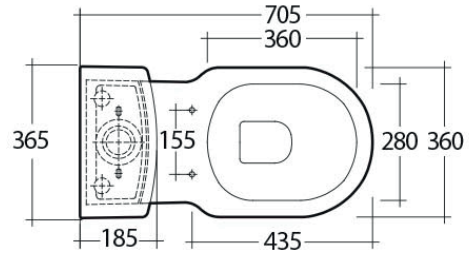


RAK-Washington

WC | Close Coupled | Open Back | Push Button

RAK
CERAMICS



Technical specifications

Dimensions: 360w x 705d x 400h

Weight: Pan: 26.5kg, Cistern: 11.5kg, Seat: 3.2kg

Colour: Alpine White

Trap type: P-trap

Seat cover options: Wood

Bowl shape: Oval

Soft close: Yes

Flush type: Dual Flush

Suites: RAK-Washington

Code: **Name:**

WASPAN Washington water closet close coupled p-trap 70cm

WASCIST Washington water closet tank

Seats

Code:	Colour:
RAKWTNSEAT500	White
RAKWTNSEAT503	Grey
RAKWTNSEAT504	Black
RAKWTNSEAT505	Greige
RAKWTNSEAT514	Cappuccino

Dimension: All Dimensions in mm tolerance $\pm 5\%$ for below 200mm and $\pm 3\%$ for above 200mm.

Note: Due to a continuing development programme to improve design and performance the manufacturer reserves all rights to vary specifications without prior information.

Please note all accessories are for photographic use only.