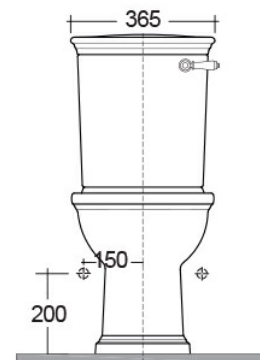
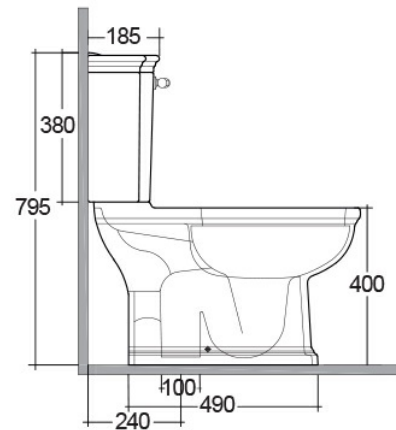
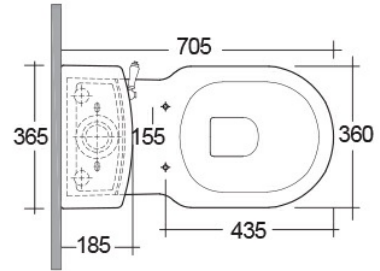


RAK-WASHINGTON - WT03AWHA - WITH LEVER

RAK
CERAMICS

Syphonic | Close Coupled | Water Closet



Technical specifications

Dimensions: 740 x 445 mm

Weight: 34 Kg

Color: Alpine White

Trap type: S Trap

Trapway type: S trap

Seat cover options: PP

Bowl shape: Oval

Suites: [RAK-WASHINGTON](#)

Code	Name
------	------

WT03AWHA	WASHINGTON WATER CLOSET CLOSE COUPLED S-TRAP 70CM
----------	---

WT22AWHA	WATER TANK WITH FRONT LIVER
----------	-----------------------------

Dimensions: All dimensions in mm tolerance $\pm 5\%$ for below 200mm and $\pm 3\%$ for above 200mm.

Note: Due to a continuing development programme to improve design and performance, the manufacturer reserves all rights to vary specifications without prior information.

Please note accessories are for photographic use only.