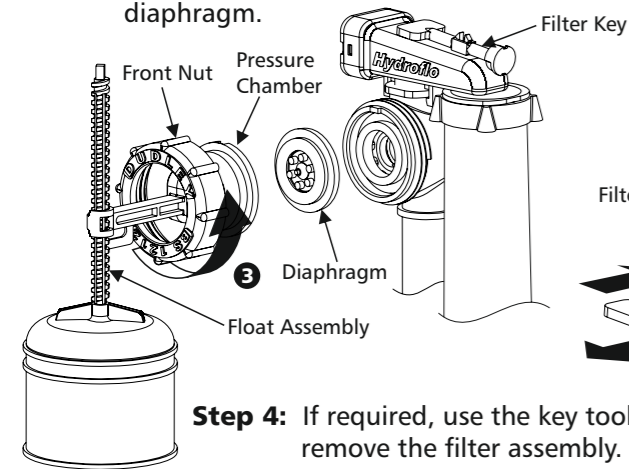


7 INSTALLATION CHECKLIST / TROUBLESHOOTING

- Leaks:** Check that all connections are fully tightened and that there are no leaks.
- Inlet Valve:** Check the float is free to move and that the valve shuts off when the float is raised. If not, follow the inlet valve maintenance procedure in **section 8**.
- Water Level:** Ensure that the actual water level aligns with specified water level mark. If not see **section 6**.
- Overflow:** Hold the inlet valve float down until the cistern begins to overflow. Ensure that the overflow pipe is capable of draining all incoming water, without the cistern overflowing. If not, check that the flow restrictor has been fitted. See **section 6** for further details on flow restrictors.
- Outlet Valve:** Check that the outlet valve flushes correctly. If not ensure all moving parts are free to move. Check that there is no water flow into the toilet pan when the outlet valve is shut. If there is, follow the outlet valve maintenance procedure in **section 9** to ensure it is sealing correctly. If overflowing persists, contact technical help at **Thomas Dudley Ltd. 0121 530 7032**

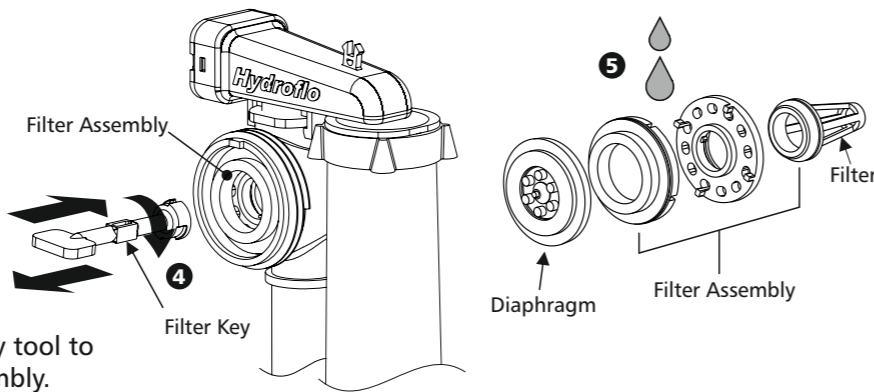
8 MAINTENANCE: INLET VALVE

- Step 1:** Remove cistern lid.
- Step 2:** Turn off the water supply
- Step 3:** Remove the front nut from the inlet valve and carefully remove the pressure chamber and diaphragm.



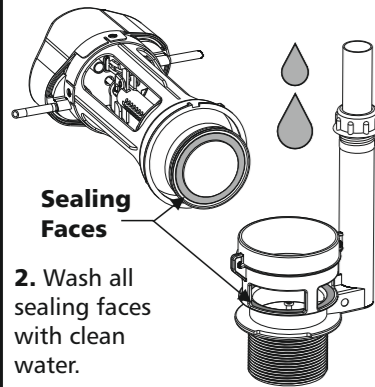
Step 4: If required, use the key tool to remove the filter assembly.

- Step 5:** Carefully clean the diaphragm and filter assembly under running water. Important: take care not to damage the diaphragm.
- Step 6:** Reassemble the inlet valve assembly ensuring that the front nut is fully tightened.
- Step 7:** Turn the water supply back on.



9 MAINTENANCE: OUTLET

- 1.** Remove flush valve from cistern as shown in **section 2**.



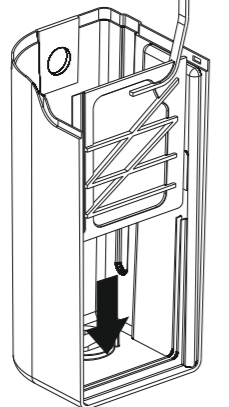
- 2.** Wash all sealing faces with clean water.
- 3.** Re-assemble valve and it ensure it is working correctly.

Important: Only use **genuine Dudley** spares or replacement parts.

10 PARTITIONS & CISTERN CAPACITY

PARTITIONS

Slot the partition into the grooves into the cistern.

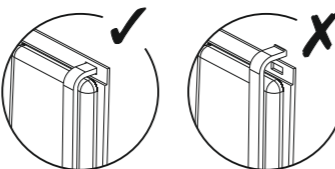


Dual Flush

6/4 litre - No Partition
5/3 litre - One Partition
4/2.6 litre - Two Partitions

Single Flush

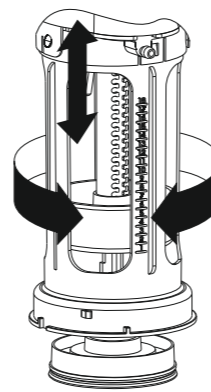
6 litre - No Partition
5 litre - One Partition
4 litre - Two Partitions



CHANGING CISTERN CAPACITY

Cup Positions Dual Flush Only
Level 2: 6/4 litre flush
Level 8: 4/2.6 litre flush

- Step 1:** Remove outlet valve as shown in **Section 2**.
- Step 2:** Rotate cup to unlock and slide up or down to change cistern capacity.
- Step 3:** Reverse steps to re-assemble and turn water supply on.



Dudley Miniflo™

Concealed Cistern Installation Instructions

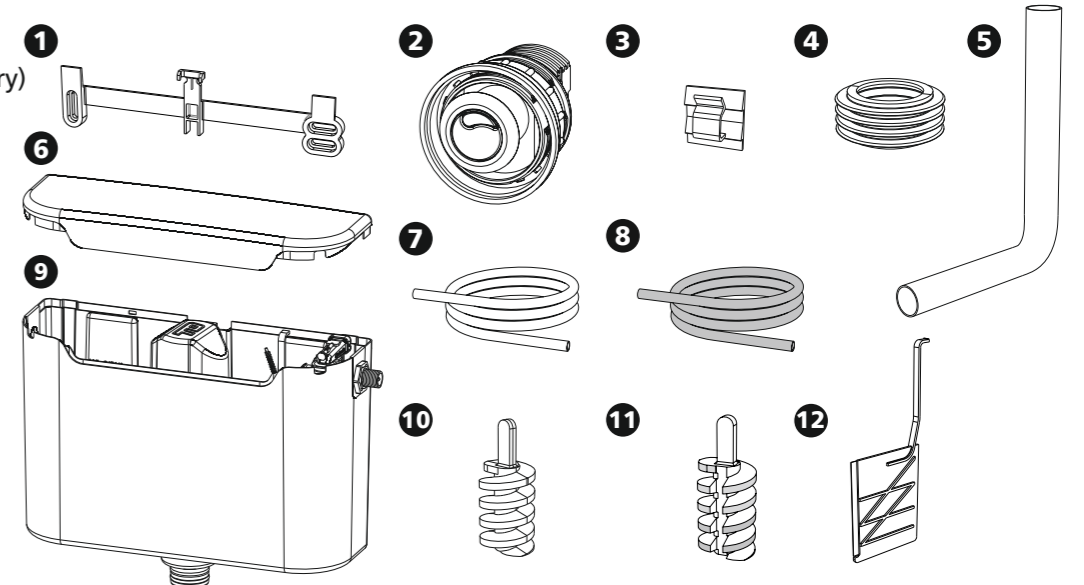
Please leave this instruction leaflet with the end user



1 PACK CONTENTS

IMPORTANT: Check contents, make sure all the parts are accounted for before discarding packaging. If any parts are missing, do not attempt to install the cistern until you obtain all the missing parts.

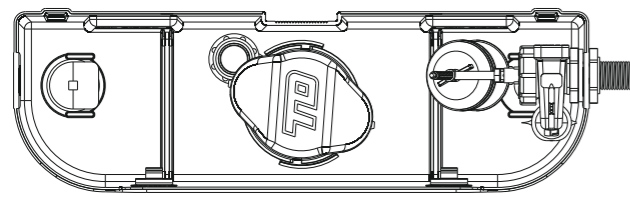
- Hanging Bracket
- Push button (style may vary)
- Adhesive Hooks x2
- Flush Pipe Connector
- Flush Pipe
- Cistern Lid
- Clear Tube
- Green Tube (dual flush only)
- Miniflo Cistern Assembly (side entry or bottom entry inlet valve)
- White Flow Restrictor (as fitted)
- Red Flow Restrictor
- Partition x2 (not supplied with 6L Mono Flush)



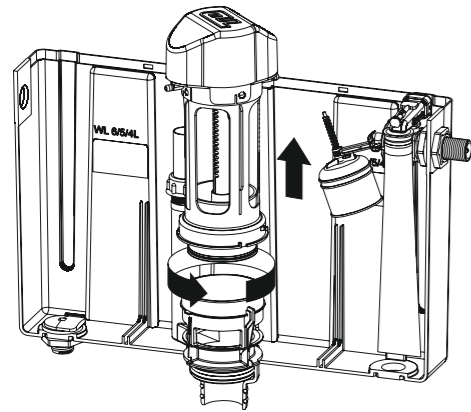
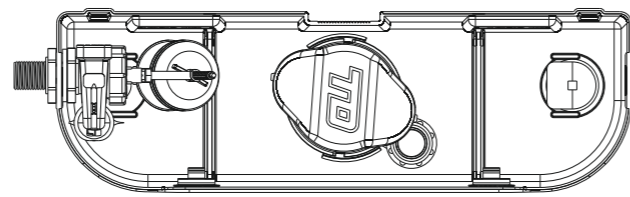
2 CHANGING FEED ORIENTATION

IMPORTANT: Before installing the Miniflo cistern, check where the inlet valve feed is coming from. The feed orientation can be changed for both side and bottom entry inlet following the steps below. If changing the feed orientation is not required, continue to section 3.

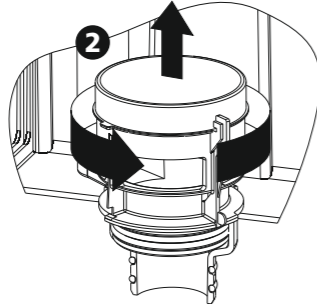
TYPICAL CISTERN RIGHT HAND FEED



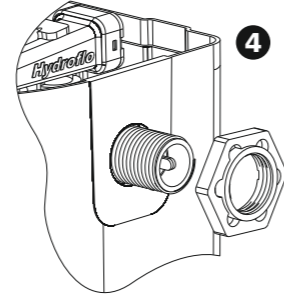
TYPICAL CISTERN LEFT HAND FEED



Step 2: Remove flush valve base by rotating it anti-clockwise and remove, change orientation to position shown above.

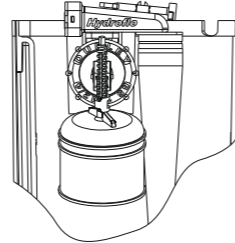


Step 3: reverse process to re-attach valve base.



Step 4: Remove inlet valve nut by rotating anti-clockwise, then remove inlet valve.

Ensure inlet is level

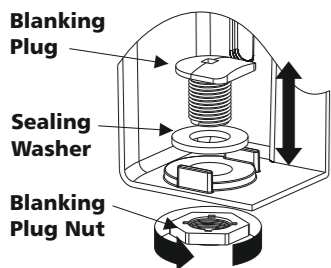


Step 5: Re-attach inlet valve to opposite side by reversing the process. Ensure that the inlet valve is level.

Step 1: Rotate valve anti-clockwise and remove the outlet valve.

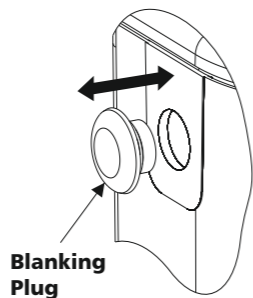
CHANGING THE BLANKING PLUGS

Bottom Entry Inlet Valve



Step 1: Remove blanking plug nut by rotating anti-clockwise.
Step 2: Pull out the blanking plug and sealing washer.
Step 3: Insert blanking plug and sealing washer on opposite side and tighten nut from below.

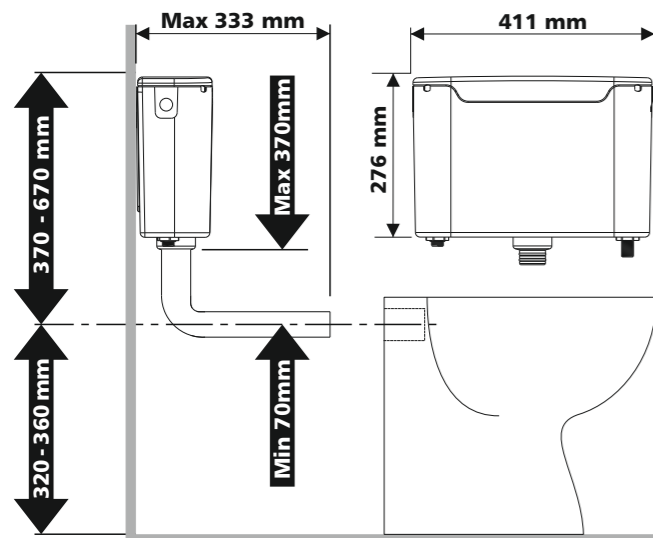
Side Entry Inlet Valve



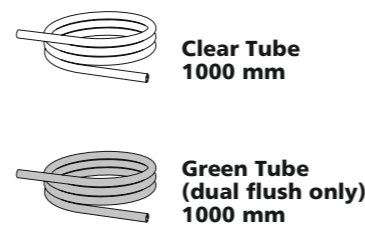
Step 1: Remove blanking plug by pressing it out from the inside of the cistern.
Step 2: Locate plug onto the opposite side of the cistern and push into the hole. Ensure that the rounded edge is on the outside.

3 FITTING THE MINIFLO CISTERN

WARNING: No sealing compound, paste, flux or solvent to be used in contact with plastic or rubber surfaces to avoid damage. The rubber washers / O-rings should provide an adequate seal. PTFE may be used on threads. Do NOT overtighten plastic nuts. No chemical block/ additive to be used in cistern.



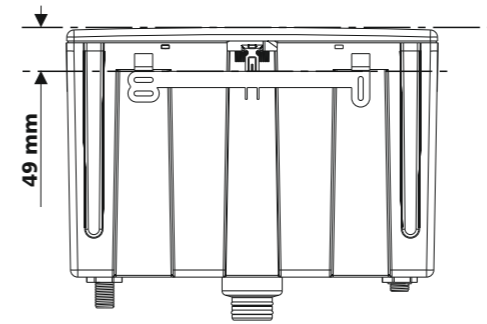
IMPORTANT: Check there is sufficient space to fit all components including the button and pneumatic tubing. Use suitable fixings to secure the hanging bracket to the wall, please note fixings are NOT supplied.



FOLD

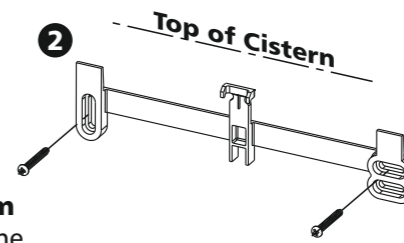
3 FITTING THE MINIFLO CISTERN Continued

Positioning the hanging bracket:

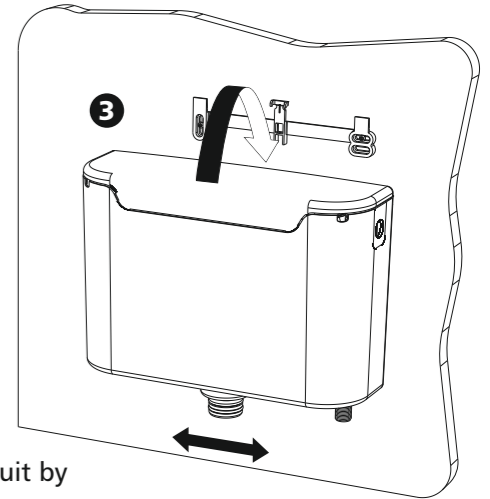


1. To position the cistern draw a line 49mm from the cistern lid to get the position of the hanging bracket. Ensure that there is sufficient space above the cistern to allow for maintenance of the valves.

2. Fit the bracket to the wall using appropriate fixing screws for the application (Fixings NOT supplied). Ensure that the bracket is level.

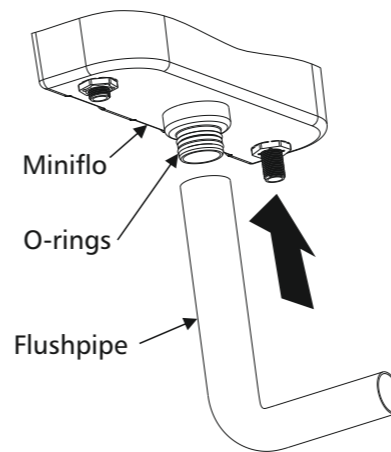


3. Hang the cistern on the fixing bracket and adjust to suit by moving the cistern side to side.

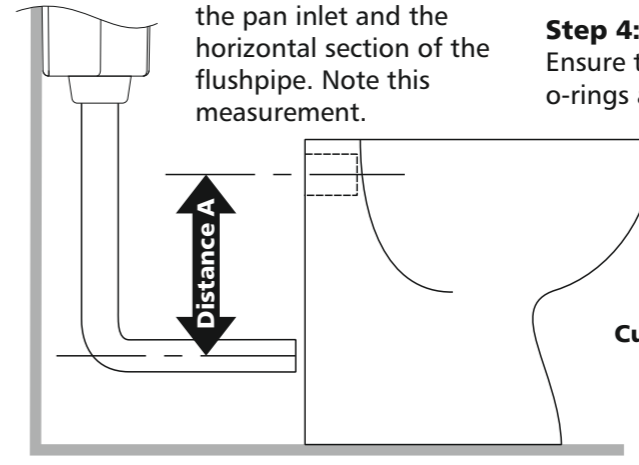


4 FITTING THE FLUSHPIPE

Step 1: With the cistern in position, push the flush pipe over the o-rings until it hits the dead stop. Ensure that both o-rings have been covered by the pipe.

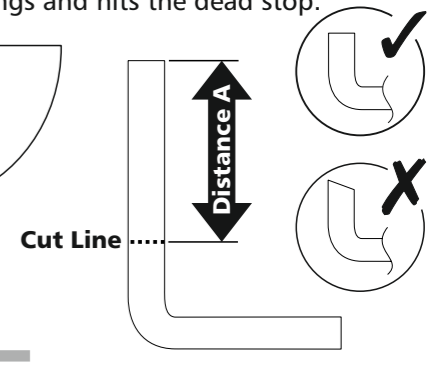


Step 2: Ensuring the flush pipe is vertical. Measure distance 'A' between the centrelines of the pan inlet and the horizontal section of the flushpipe. Note this measurement.



Step 3: Remove the flushpipe and cut distance 'A' from the top of the vertical section. Ensure the cut is square and free from burrs.

Step 4: Refit the pipe onto the cistern. Ensure that the pipe again covers the o-rings and hits the dead stop.



5 CONNECTING THE TUBES

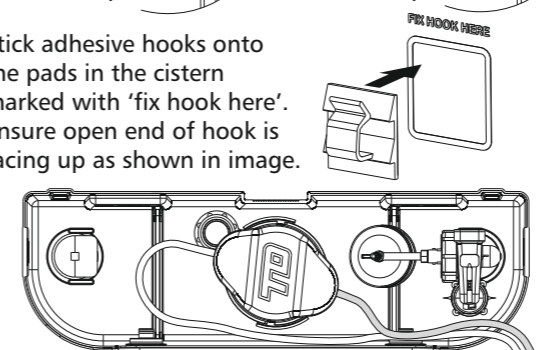
Dual & Single Flush:

Attach clear tube on the circle side up to dead stop.

Stick adhesive hooks onto the pads in the cistern marked with 'fix hook here'. Ensure open end of hook is facing up as shown in image.

Dual Flush Only:

Attach green tube on the square side up to dead stop.

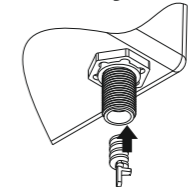


Route the tubing through the hooks to avoid interference with any other parts in the cistern. Route in consideration of Dudley button, push plate or Electroflo.

6 PLUMBING THE CISTERN

USE OF FLOW RESTRICTORS:

Bottom Entry Inlet Valve

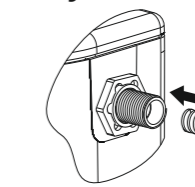


White Restrictor (As fitted)
Pressure Above 3.5 Bar (50psi)

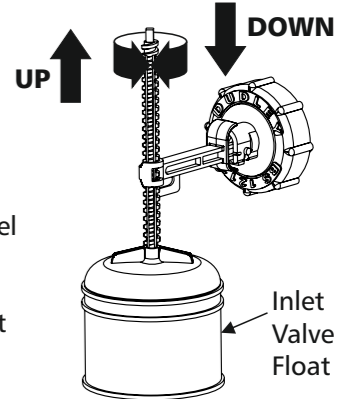
Red Restrictor
Pressure 1-3.5 Bar (15-50psi)

**Below 1 bar (15psi)
 No Restrictor**

Side Entry Inlet Valve



Ensure that the actual water level aligns with specified water level mark on the back of the cistern. If not, rotate the inlet valve float up to raise the water level or down to reduce it.



FOLD