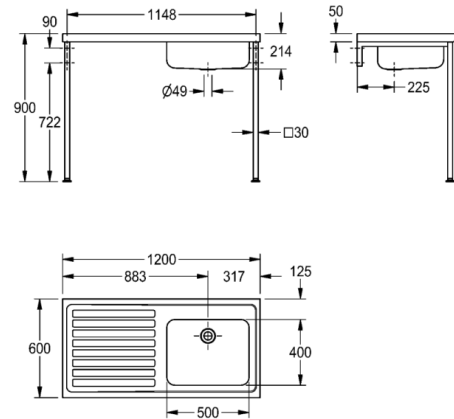


Hospital sink

MODEL RANGE: | G22006L | 215.0000.018

Utility sinks | Multi purpose sink



A single bowl/single drainer sink manufactured from 1.2mm thick, grade 1.4301 (304) stainless steel, satin polish finish. This sink top is turned down on all four edges and incorporates a wet area recess. The bowl is prepared for a 38mm waste outlet. NOTE: It is not possible to fit an overflow. The sink top can either be mounted on wall brackets or front leg supports - see extras listed below. This sink only requires a pair of brackets or front leg supports. L or R refers to the handing of the drainer ie. left or right when facing front of unit. LH drainer, no tapholes

Technical data

Bowl height	200.00 mm
Bowl depth	500.00 mm
Bowl width	400.00 mm
Material thickness	1.20 mm
Overall depth	600.00 mm
Overall height	218.00 mm
Overall width	1,200.00 mm
Drainer position	Left
Material	Stainless steel
Material code	1.4301 Chrome Nickel steel V2A
Tailor made	No
Tap ledge	No
Waste hole position	Center back
Bowl finish	Satin finish
Surface finish	Satin finished
Waste size	DN 32
Drainer or storage	Drainer
Product code	215.0000.018

KWC. The new name of Franke Water Systems