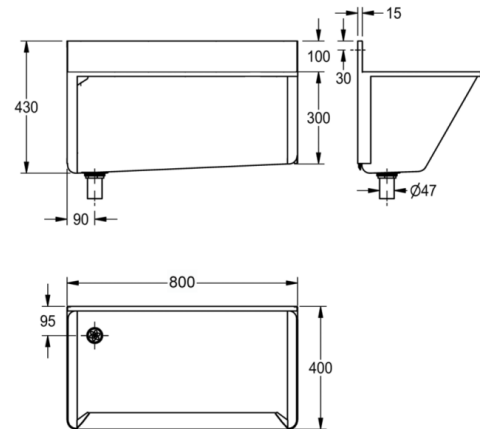


# Surgeons scrub up trough

MODEL RANGE: SATURN | G22029L | 215.0000.001

Hospital equipment | Surgeon scrub-up units



Surgeons scrub up trough manufactured from 1.5 mm thick, grade 304 stainless steel, with a satin polish finish. supplied with 38mm waste outlet in the base of the trough for surface mounting. The top and bottom areas of the trough are fixed to the wall using joggle strips. Wall fixing screws and plugs are not supplied. L or R after the code number refers to the handing of the waste outlet ie. left or right when facing the front of the trough. Rear waste outlet version also available.

Left hand bottom outlet

## Technical data

Material thickness	1.50 mm
Overall depth	400.00 mm
Overall height	430.00 mm
Overall width	800.00 mm
Material	Stainless steel
Material code	1.4301 Chrome Nickel steel V2A
Tailor made	No
Type of mounting	Wall mounting
Waste hole position	Left side
Rear upstand	Yes
Surface finish	Satin finished
Product code	215.0000.001