



# Kitchen Mixers

## Nelson Sink Mixer

Product Code: NEL104

Finish: Chrome

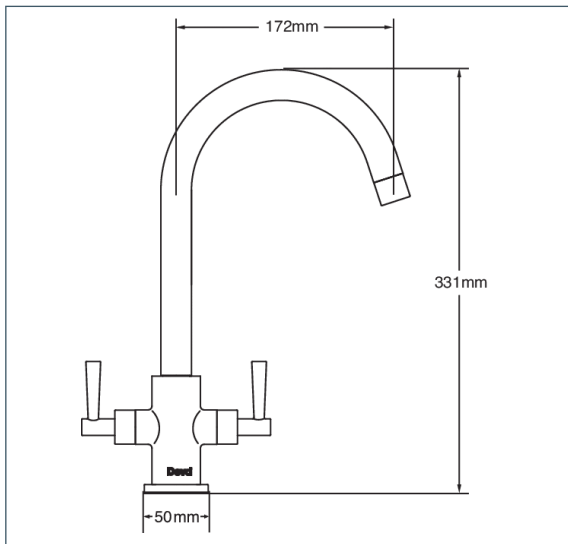
### Features

- Construction: Brass
- Valve/Cartridge type: Ceramic Cartridge
- Supply: Suitable for all plumbing systems
- Working Pressures: 0.3 - 5.0 bar
- Inlet connections: 1/2" BSP
- Flexi or Copper: Flexi Tails

- Ceramic Cartridge for smooth operation
- Separate Flow And Temperature Controls
- Swivel Spout
- In full colour packaging



\*Please refer to website for full warranty details.



### Flow (Bar - l/min, open outlet)

#### Spout

Flow 0.1	Flow 0.3	Flow 0.5	Flow 1.0	Flow 2.0	Flow 3.0	Flow 4.0	Flow 5.0
4.2	6	6.7	8.9	12.4	15.2	17.6	19.6



1912321

