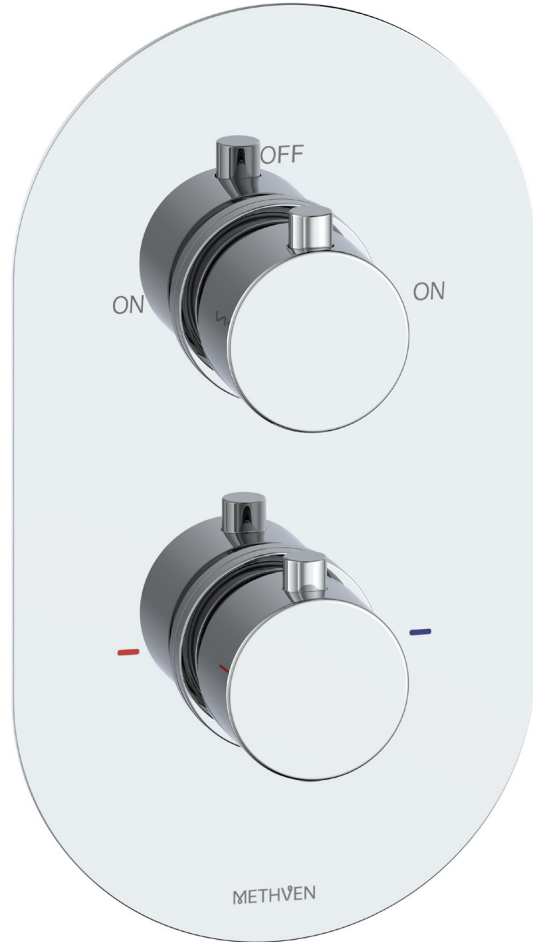
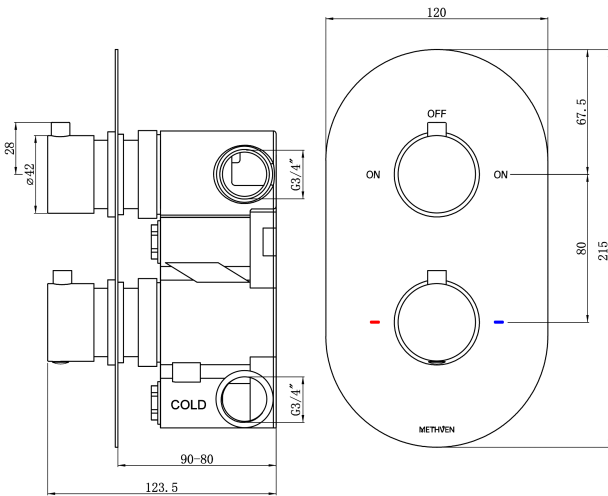


## COMO CONCEALED MIXER VALVE - 2 OUTLET



**CONSTRUCTION:** Brass

**CARTRIDGE/VALVE TYPE:** Thermostatic

**SUPPLY:** Suitable For Low Pressure Systems

**INLET CONNECTIONS:** 3/4" BSP

**WORKING PRESSURES:** 0.1 - 5.0 bar

**OPERATION:** Separate Flow And Temperature Controls

- Diverter Cartridge To Two Outlets
- 38°C Temperature Hot Stop With Override Facility
- Front Access Filters - No Need To Disconnect Shower From Water Supply During Maintenance
- Slimline Concealing Plate
- Includes Covers To Protect Valve During Installation

CM2D

Chrome

### Open Outlet Flow (Bar - l/min)

BAR	0.1	0.3	0.5	1.0	2.0	3.0	4.0	5.0
FLOW	4.5	7.6	9.9	14	20	24.6	28.4	31.9



2305355



2402168

Please Note: Flow rate will be dictated by installation configurations.  
Please ensure to check the appropriate flow restrictor information if applicable.  
\*Please refer to website for full warranty details.

**FREEPHONE: 0800 195 1602 | FAX ORDERS: 08444 068 690 | EMAIL: SALES@UK.METHVEN.COM**

[methven.com](http://methven.com)

THE INFORMATION ON THIS SPECIFICATION DOCUMENT WAS CORRECT AT THE DATE OF ISSUE. SOME VARIATION MAY OCCUR DUE TO THE MANUFACTURING TOLERANCES AND SITE SPECIFIC CONDITIONS.